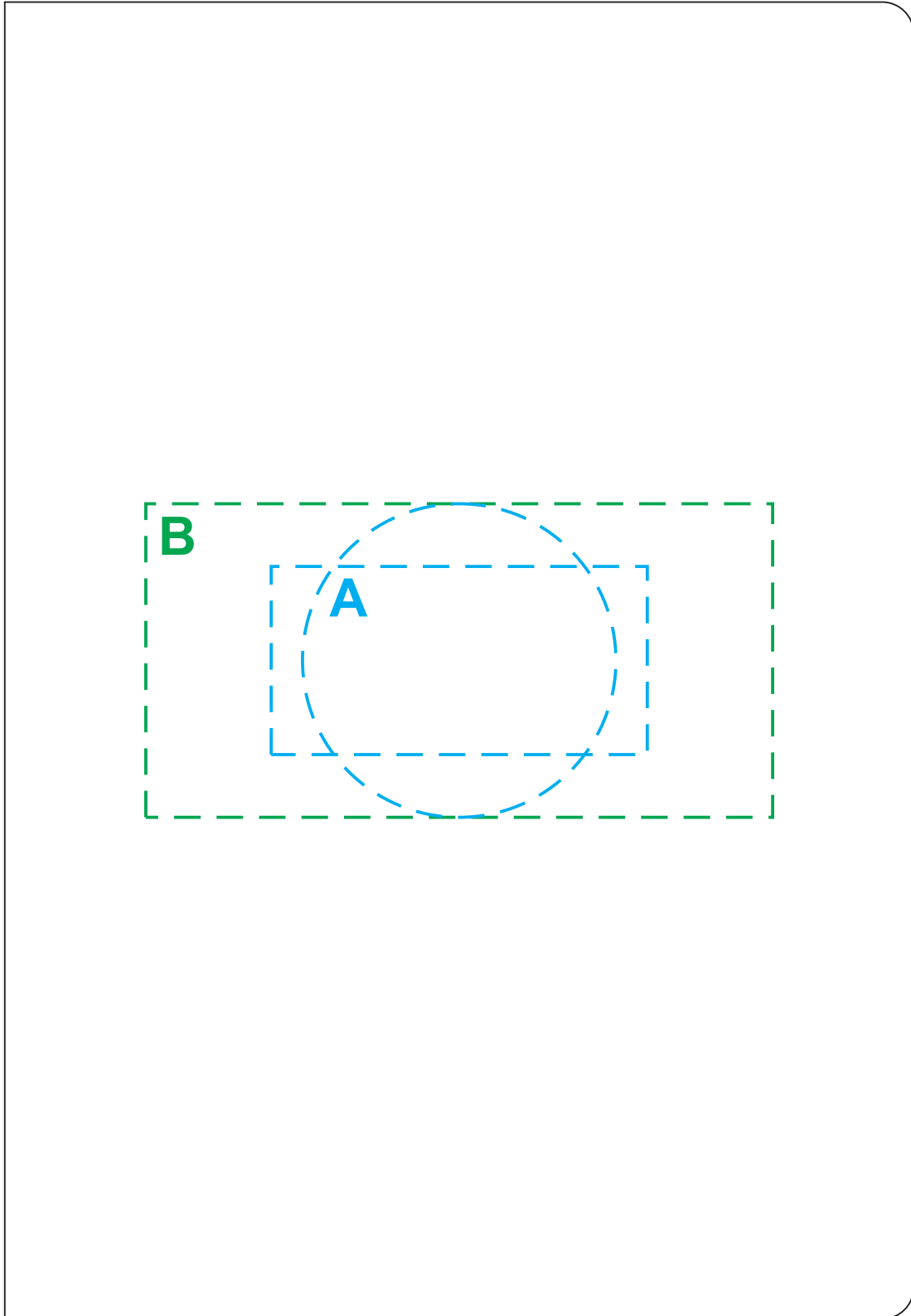


J54 - ZENITH A5 NOTEBOOK

Maximum Pad Print Area: A: 30mm x 60mm wide OR 50mm circle

Maximum Deboss/Foil Area: B: 50mm x 100mm wide



Actual Size

BRANDING AREA CAN BE POSITIONED ANYWHERE ON THE COVER BUT NEEDS TO BE AT LEAST 8MM AWAY FROM THE EDGES.

IT IS RECOMMENDED TO KEEP IMPORTANT INFORMATION AWAY FROM THE ELASTIC.