

**Product Number:** H399  
**Product Name :** Dente Floss 20pk

**Branding**

**Pad Print**

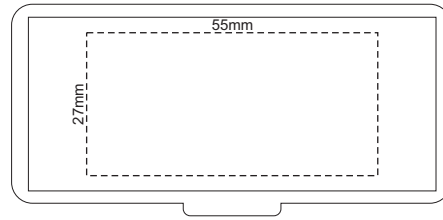
Print Area: 55mm L x 28mm W

**Direct Digital Print**

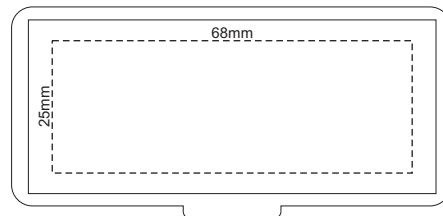
Print Area: 68mm W x 25mm H

70% Actual size

Pad Print



Direct Digital Print



Pad Print



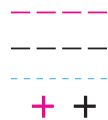
Digital Print



Colours Available



Finished print area : Digital Print  
Finished print area : Pad Print  
Finished print area :  
Approx opposite positions



**NEW/REPEAT ORDER/REDO/BACK ORDER**

**Additional Notes/Art Instructions:**

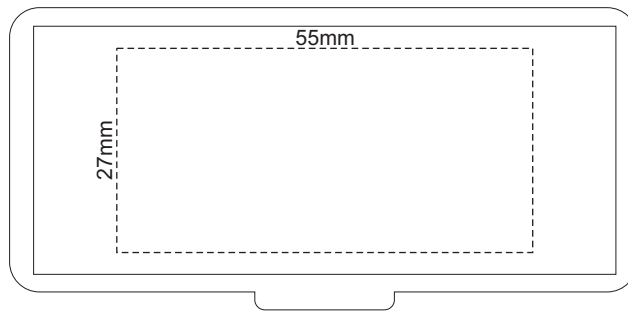
\*Special art instructions that needs to be noted shall be placed here.

**Disclaimer noted:**

Colour proofs are to be used as a guide only. Line drawing is for approximate print positional guide only. Please familiarise yourself with the product prior to approving. It is not intended to be an exact scale or detailed representation. Small details or text, including <sup>TM</sup>@©, may fill in and not be legible. Dotted lines will not be printed and are for

100% Actual size

Pad Print



Direct Digital Print

