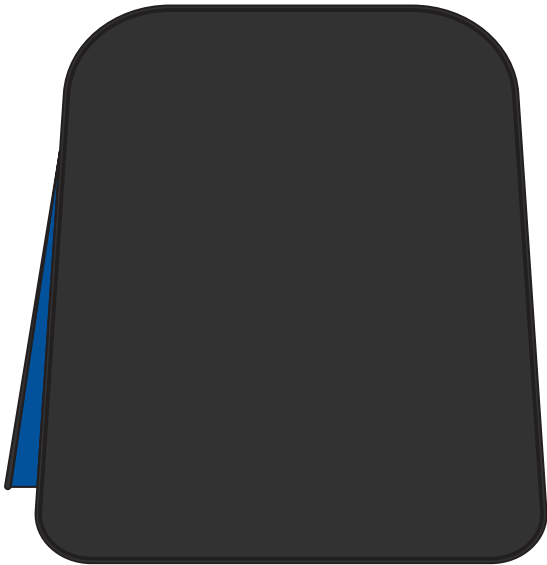
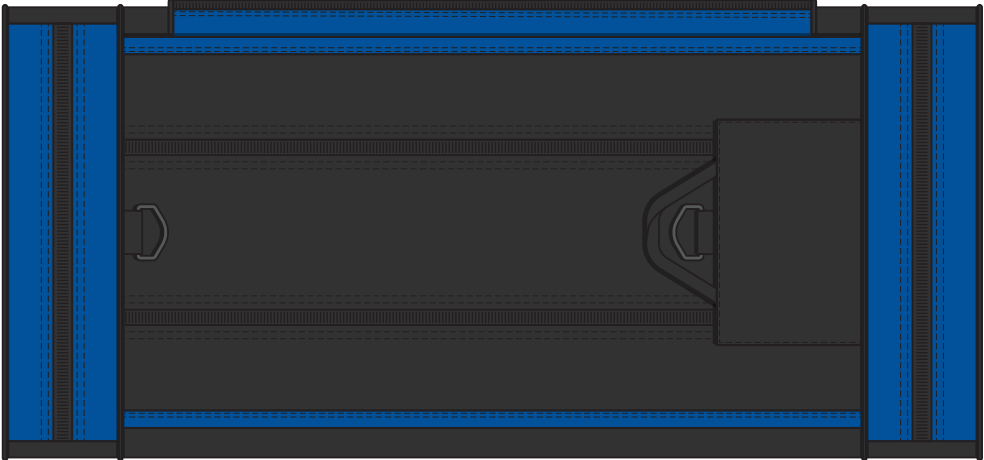


B260A

COLOURWAYS



SIDE



TOP



FRONT

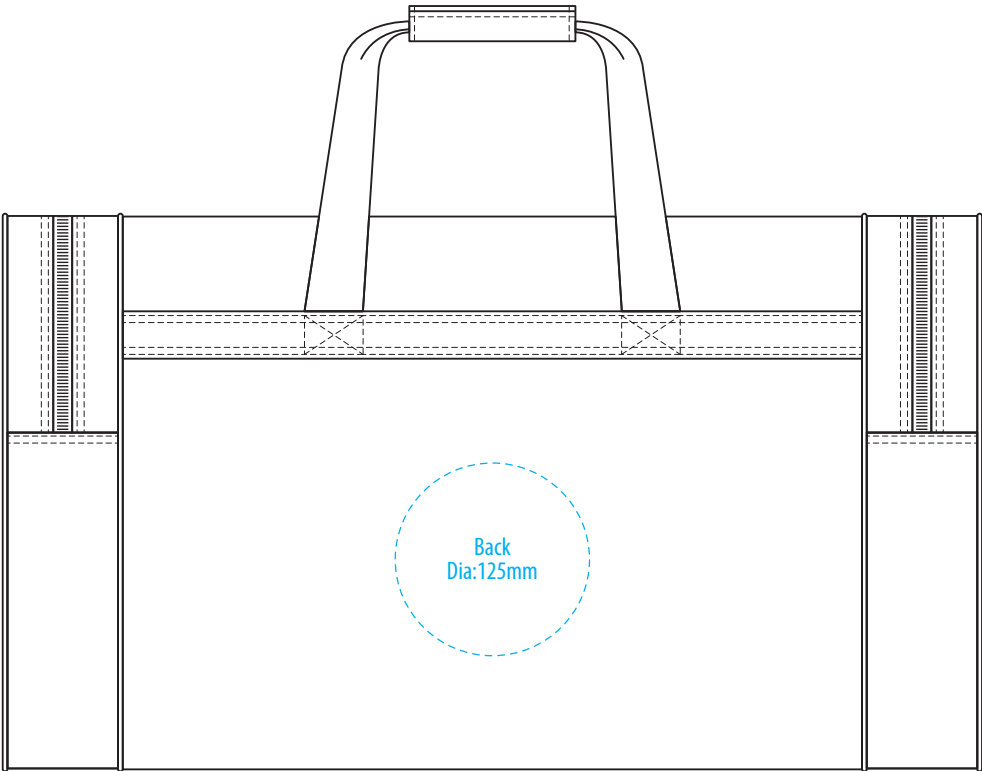
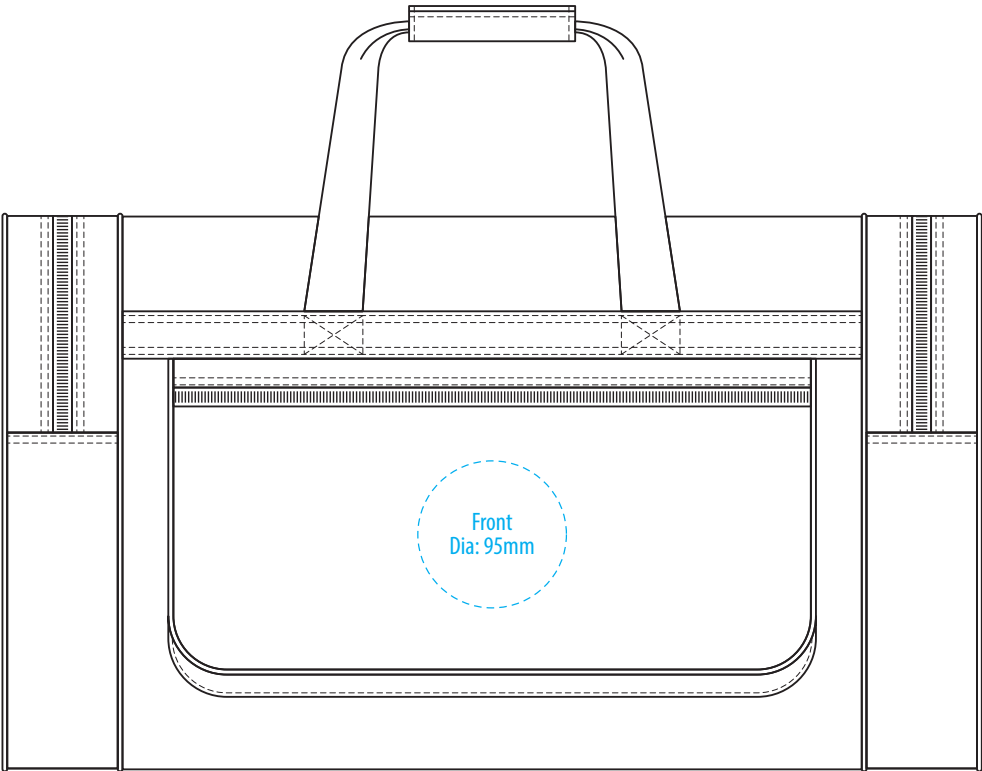
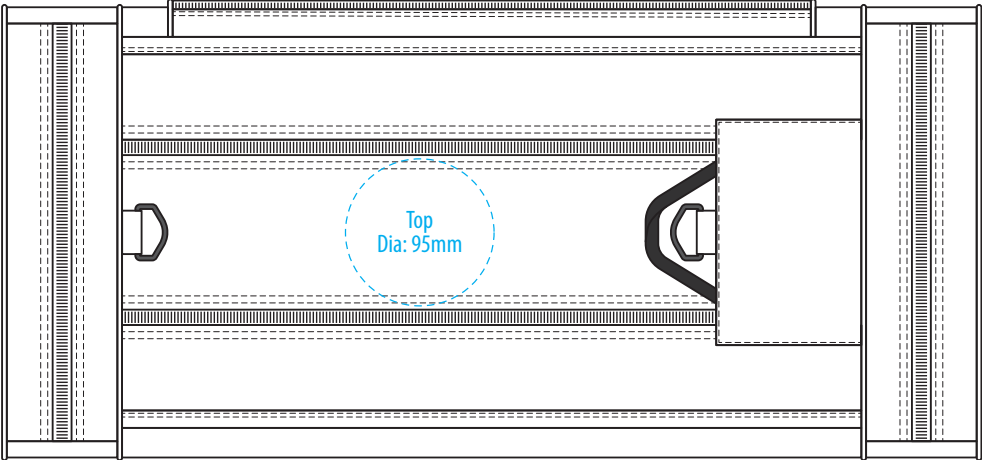
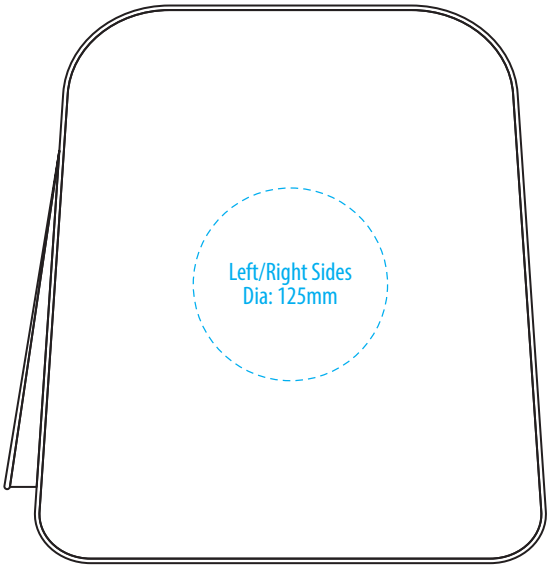


BACK

COLOUR

B260A

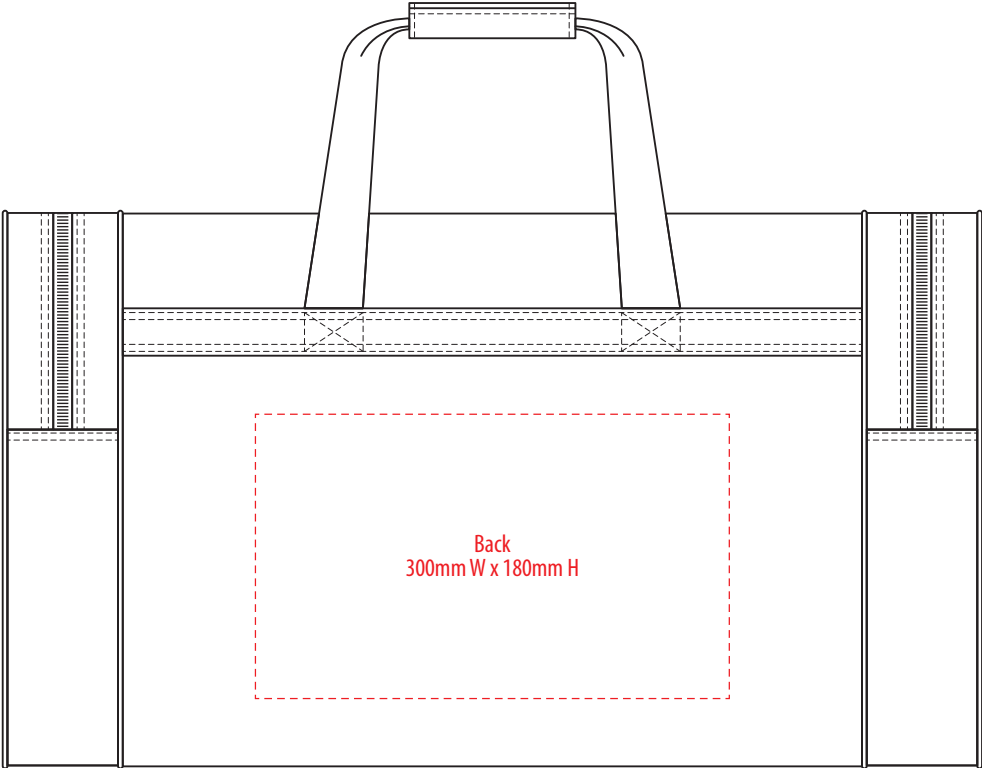
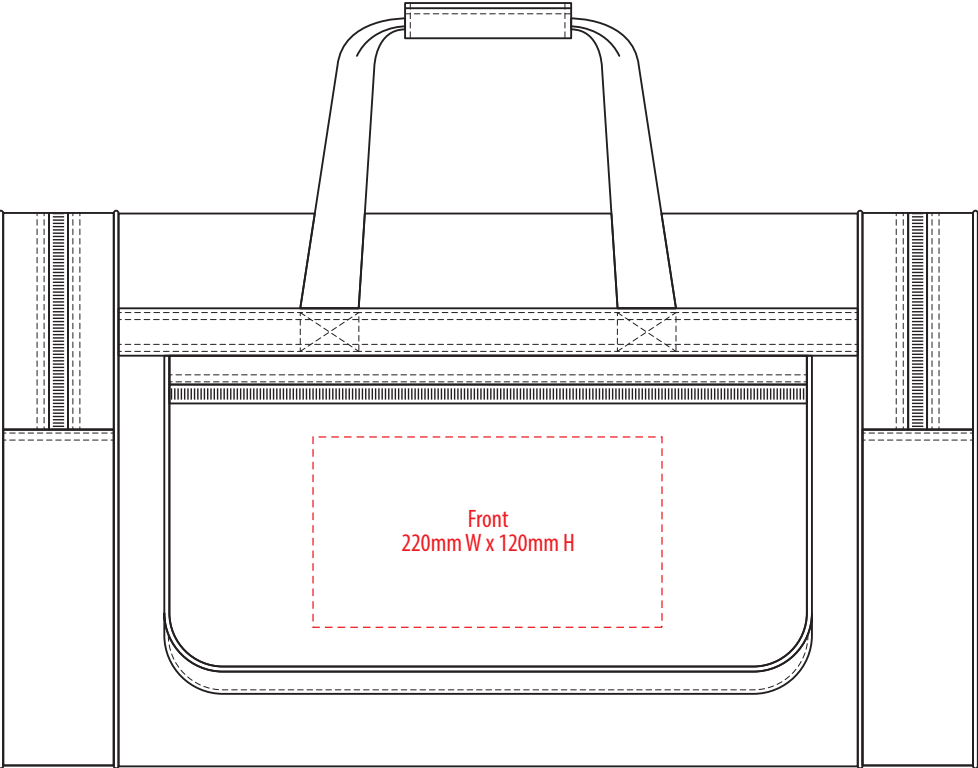
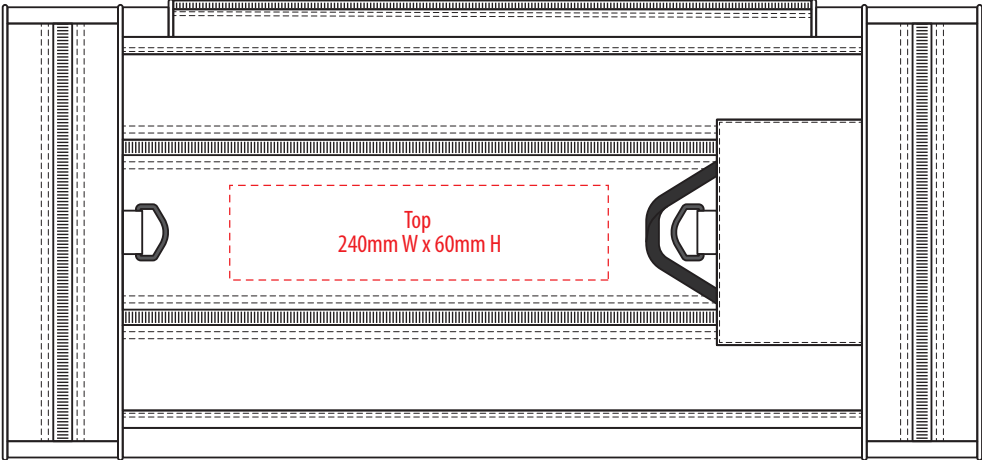
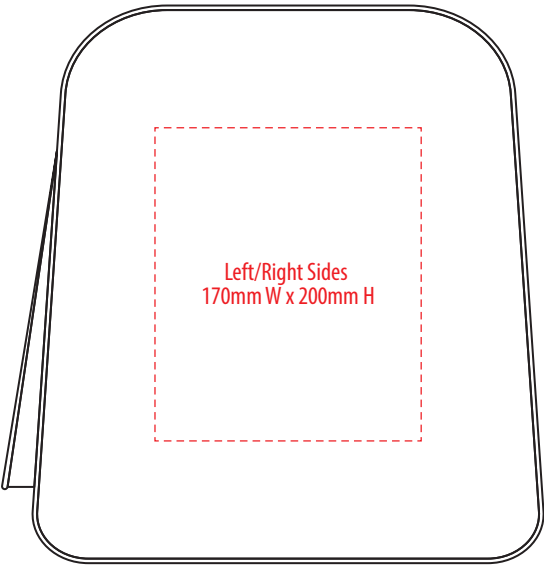
NOTE:
The maximum decoration area is a guide only and is greatly dependant on the logo shape.



EMBROIDERY / SUPASUB / SUPAETCH / SUPAFLEX

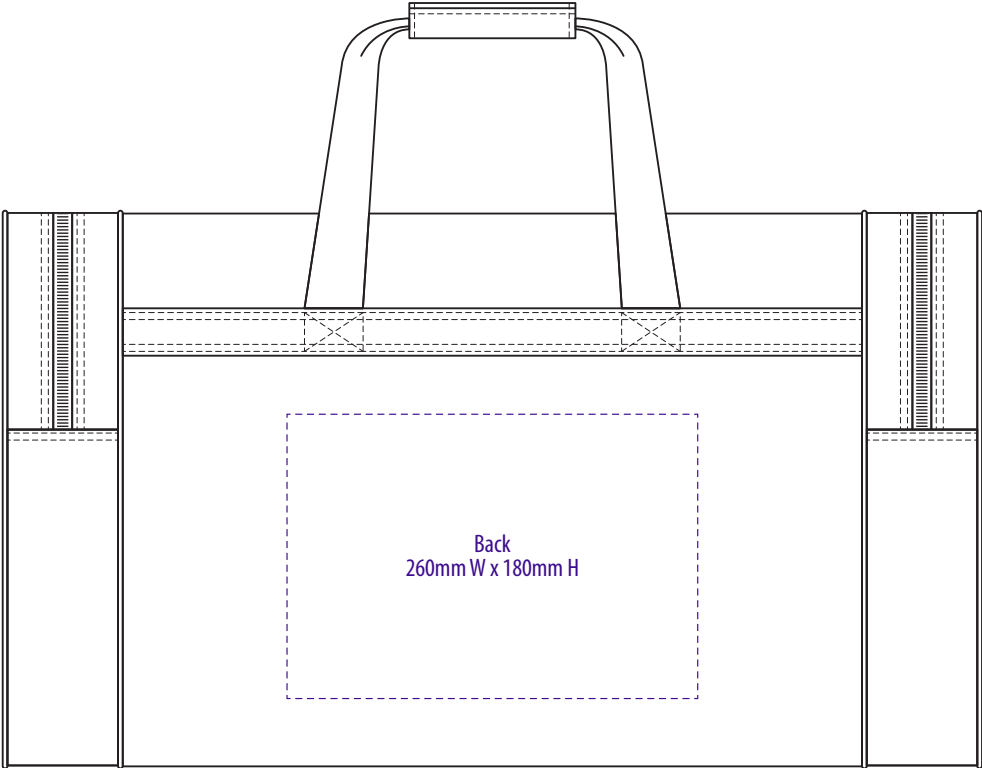
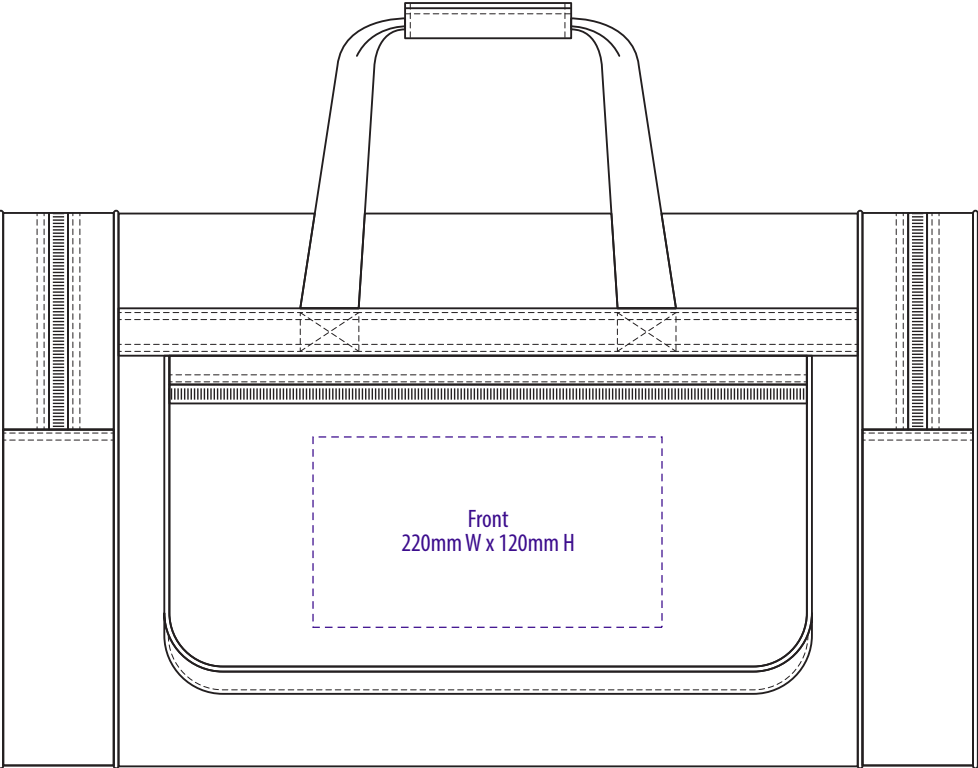
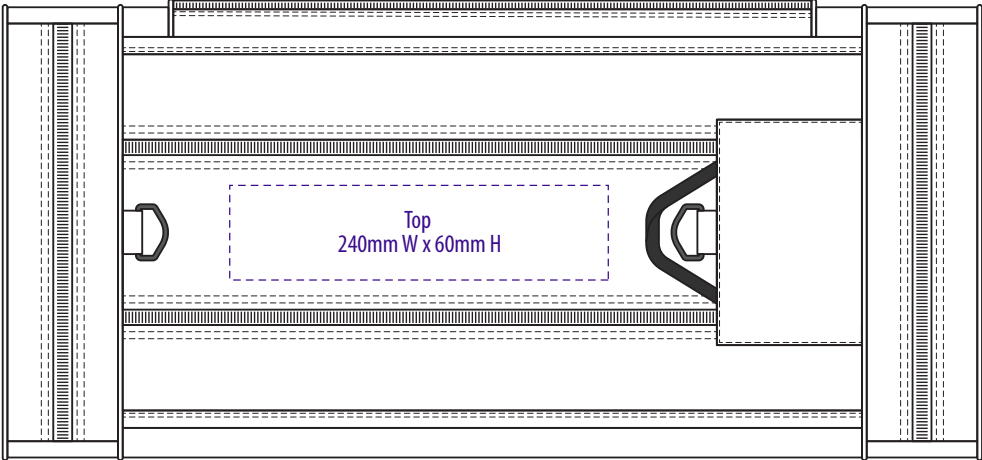
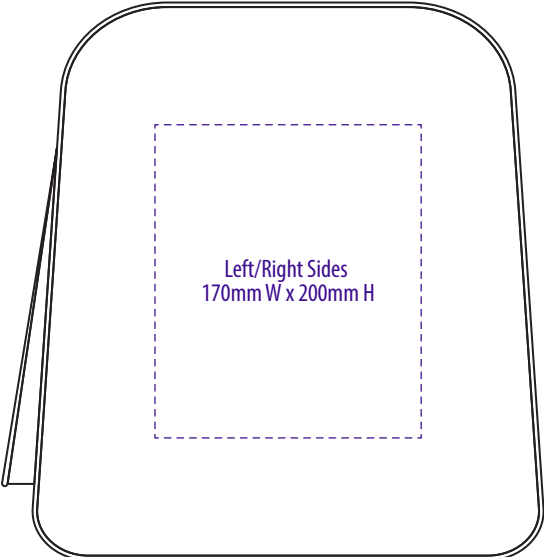
B260A

NOTE:
The maximum decoration area is a guide only and is greatly dependant on the logo shape.



B260A









NOTE:
The maximum decoration area is a guide only and is greatly dependant on the logo shape.



DTF

B260A

FABRIC SWATCH

BLACK/BLACK		BLACK		BLACK
RED/BLACK		PMS 186 C		BLACK
ROYAL/BLACK		PMS 286 C		BLACK
NAVY/NAVY		PMS 2965 C		PMS 2965 C

Pantone colours are provided as a reference only and are based on closest match. Actual product colour may differ. If a precise colour match is required we recommend ordering a sample.