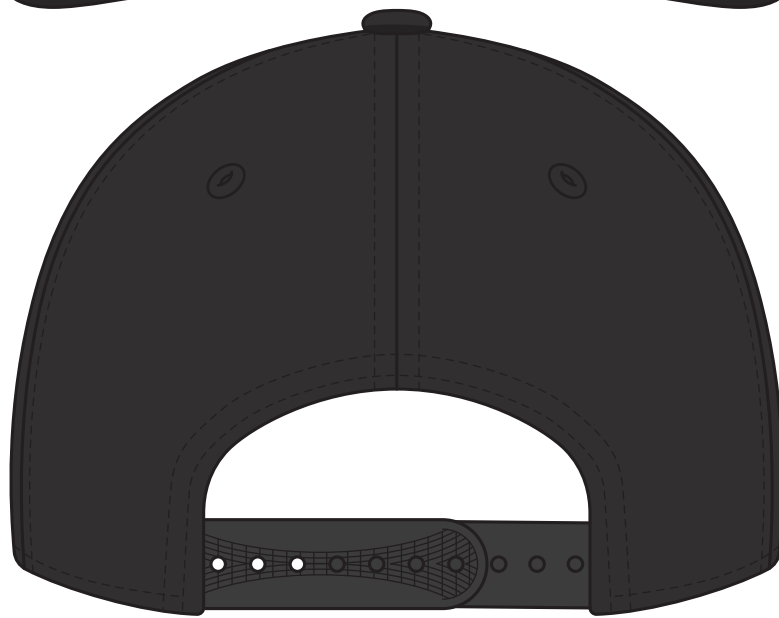
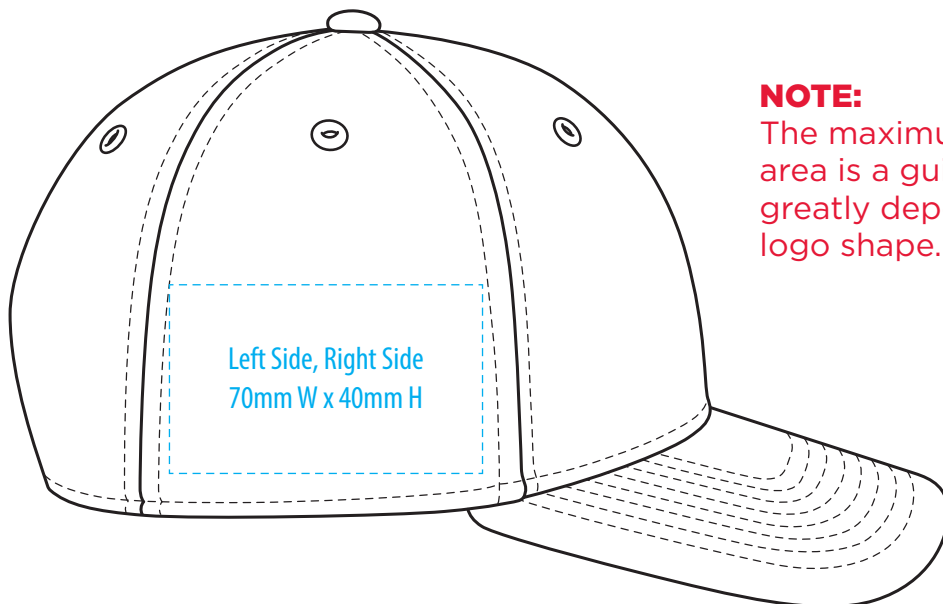
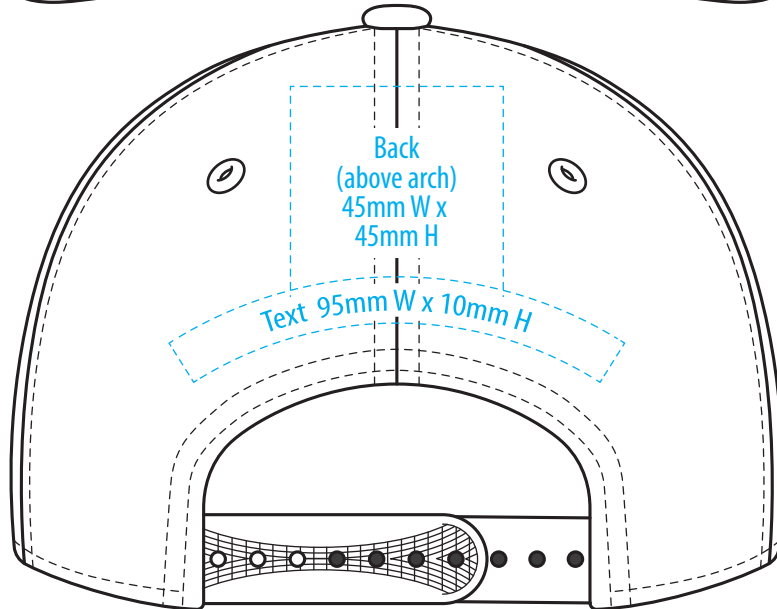
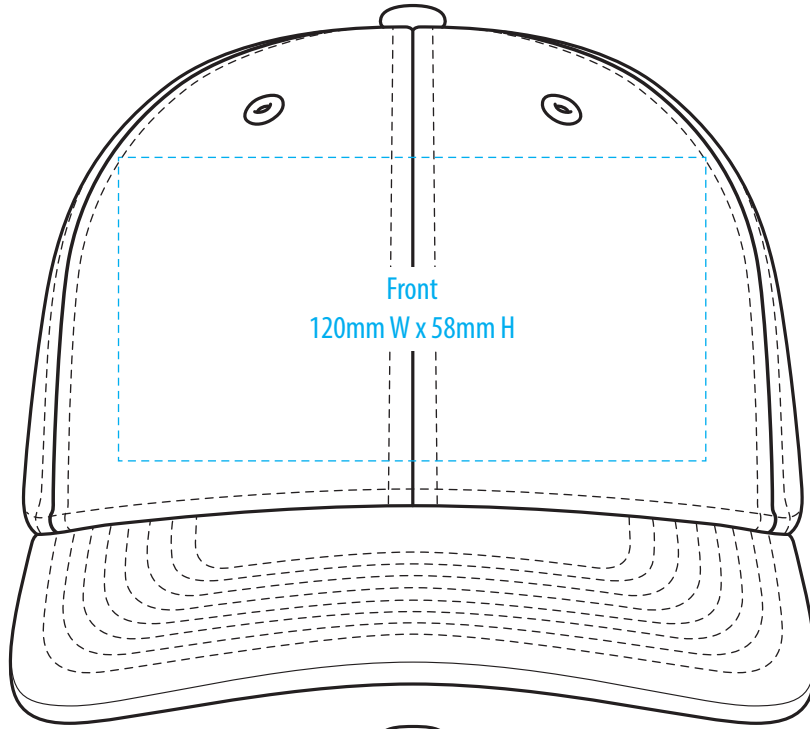


**A5000**



-----  
COLOUR

# A5000

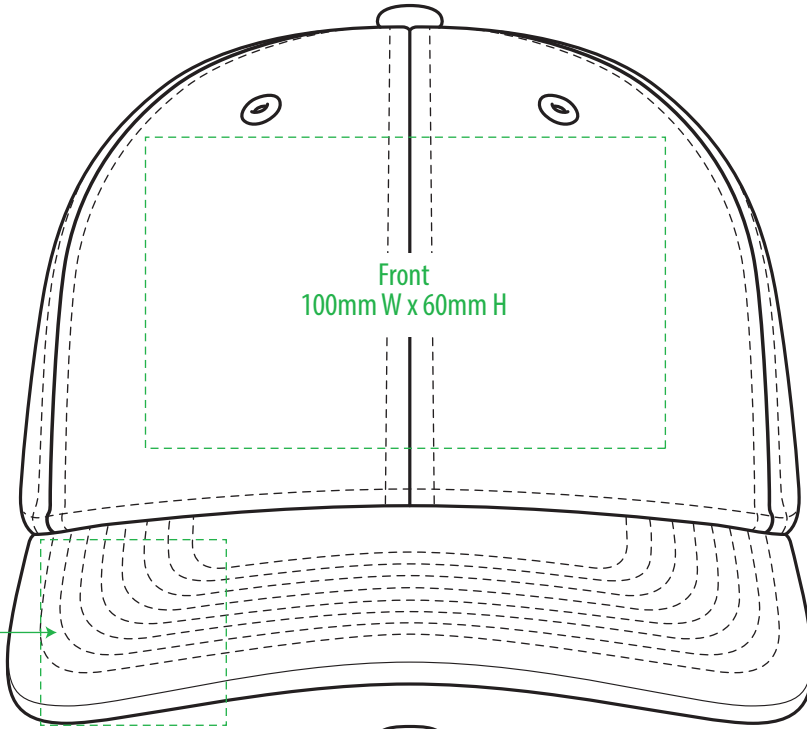


**NOTE:**

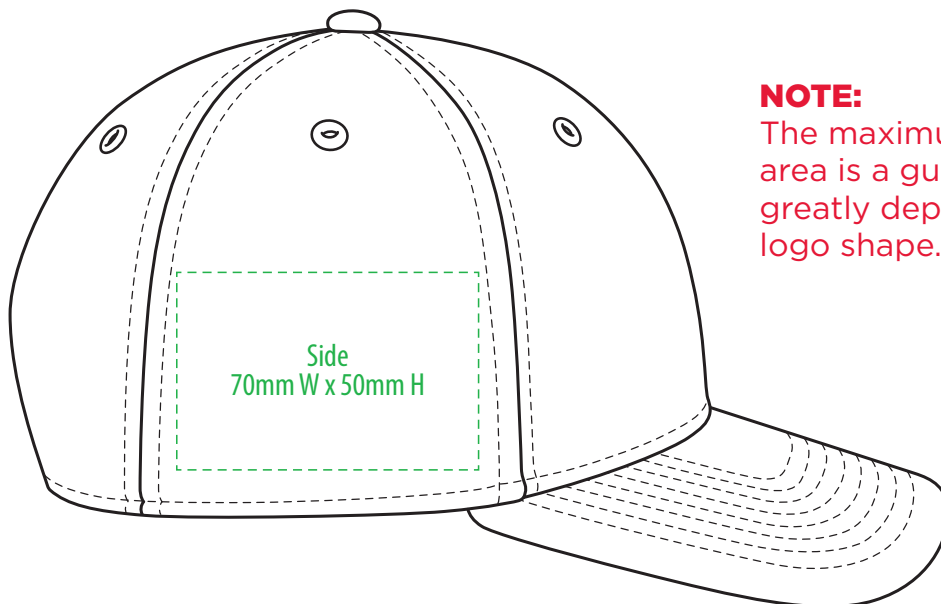
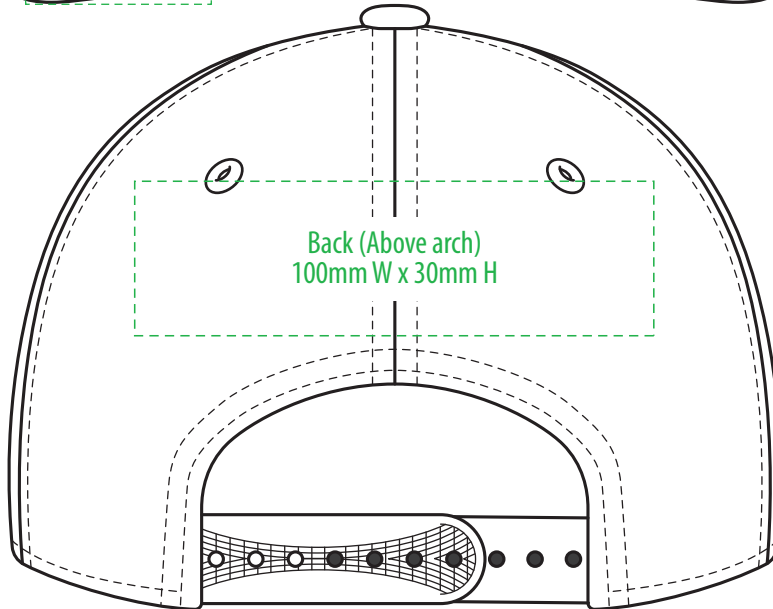
The maximum decoration area is a guide only and is greatly dependant on the logo shape.

-----  
EMBROIDERY

# A5000



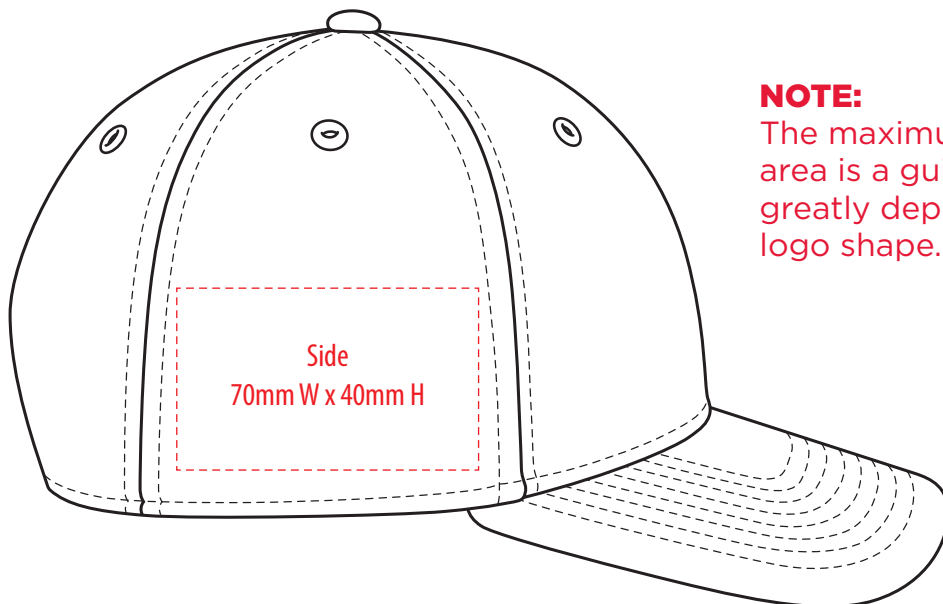
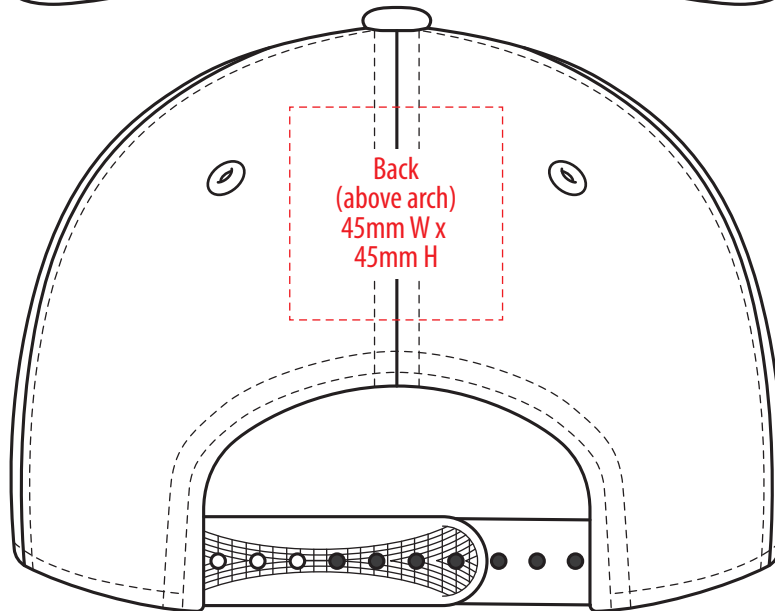
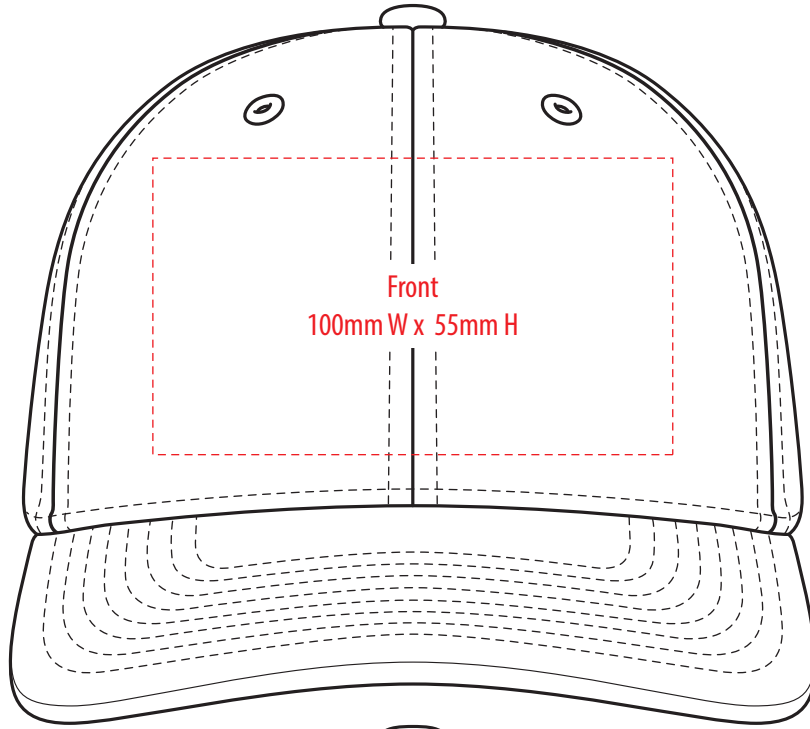
Corner of Peak  
Right Side  
50mm w x 50mm h



**NOTE:**

The maximum decoration area is a guide only and is greatly dependant on the logo shape.

# A5000



**NOTE:**

The maximum decoration area is a guide only and is greatly dependant on the logo shape.

SUPASUB/SUPAETCH/SUPAFLEX