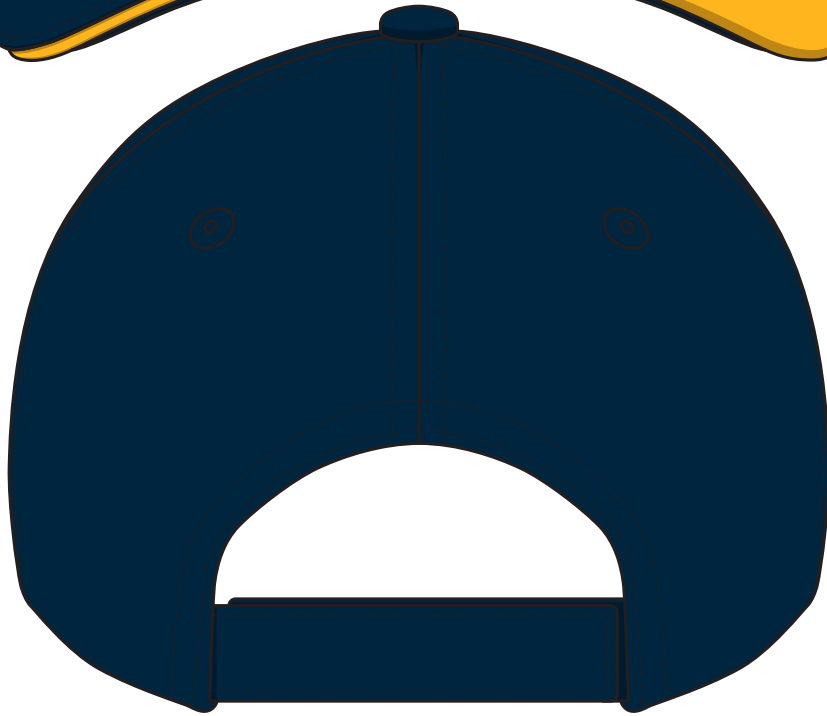
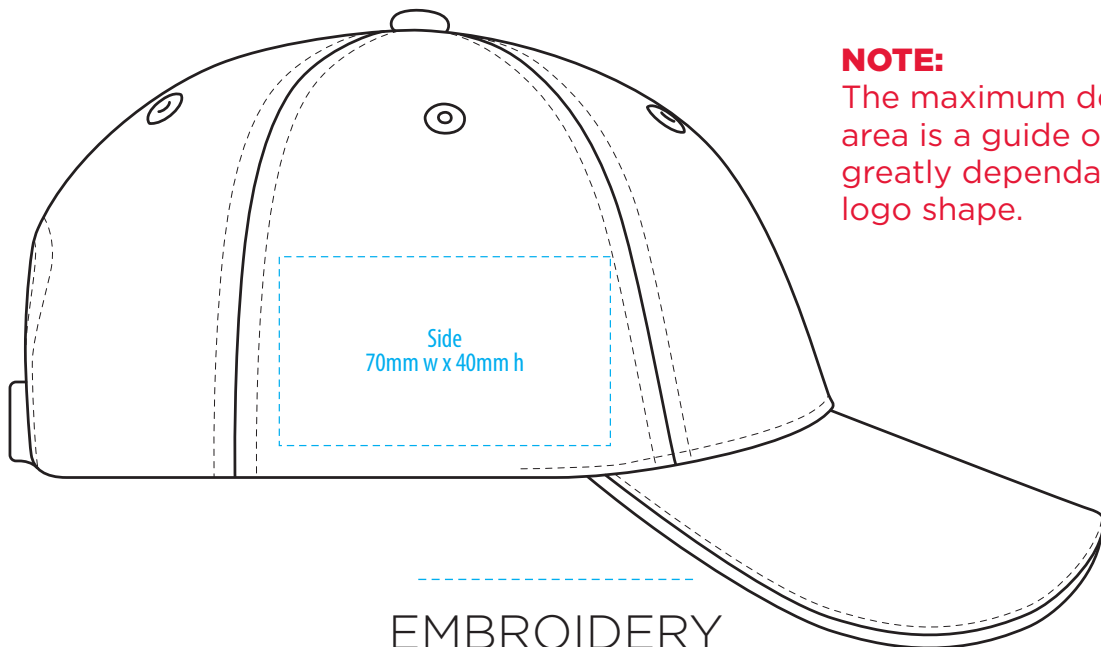
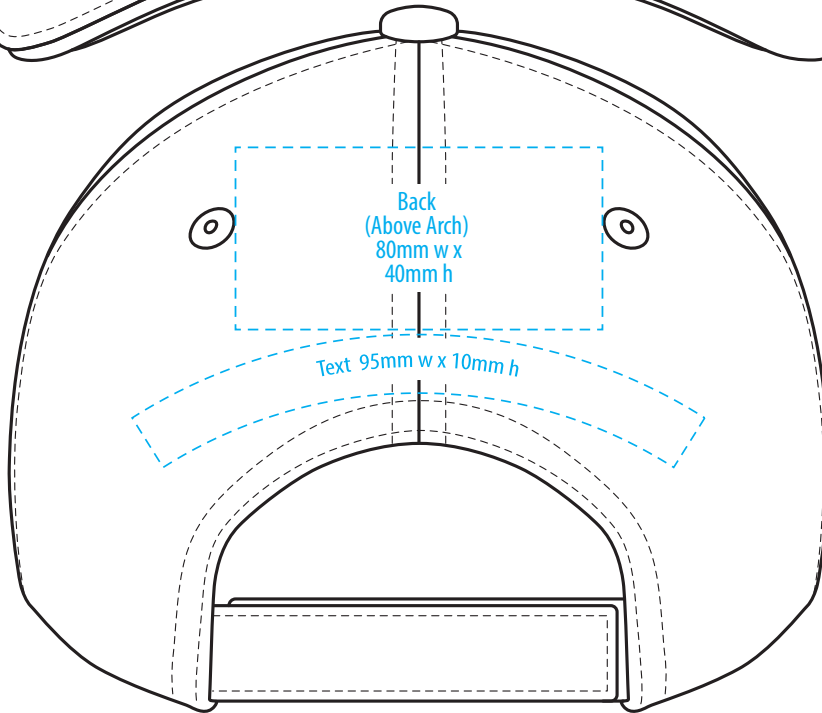
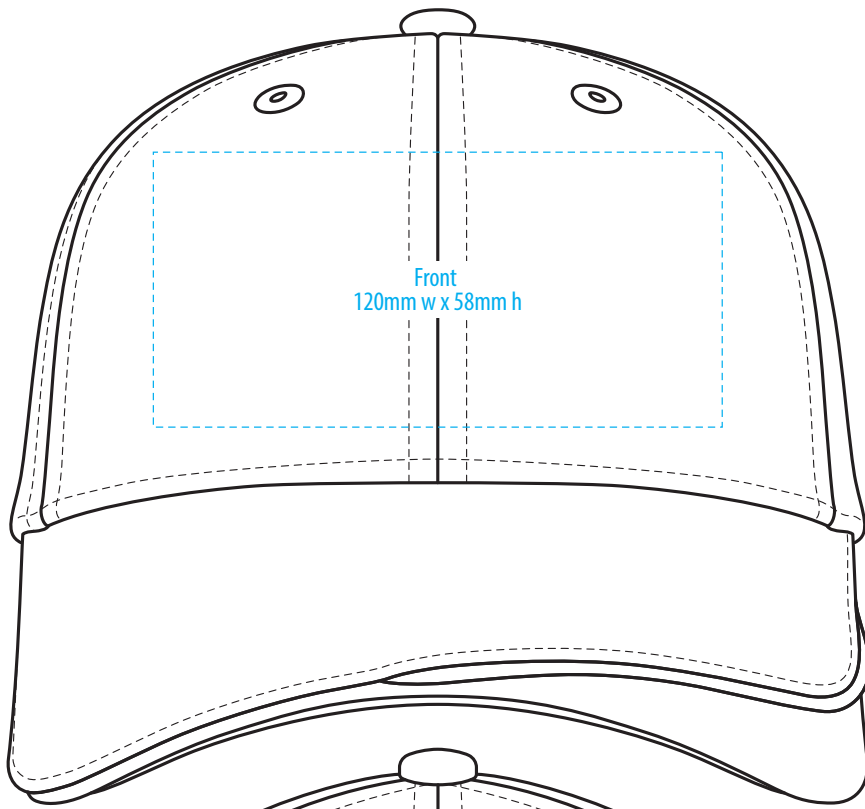


4046

COLOURWAYS



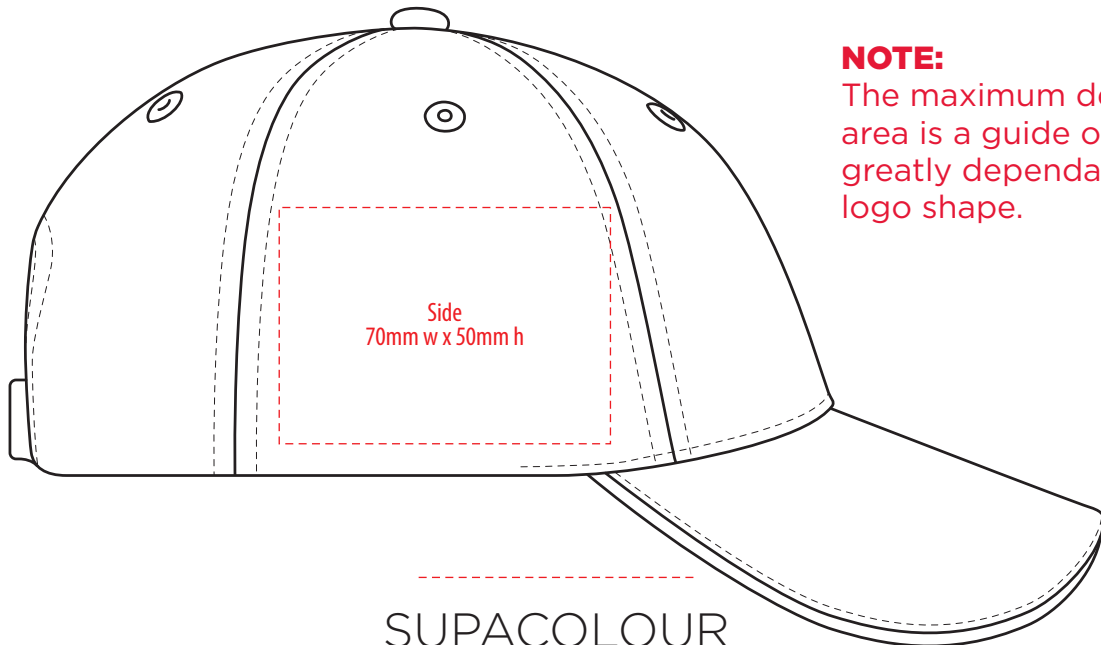
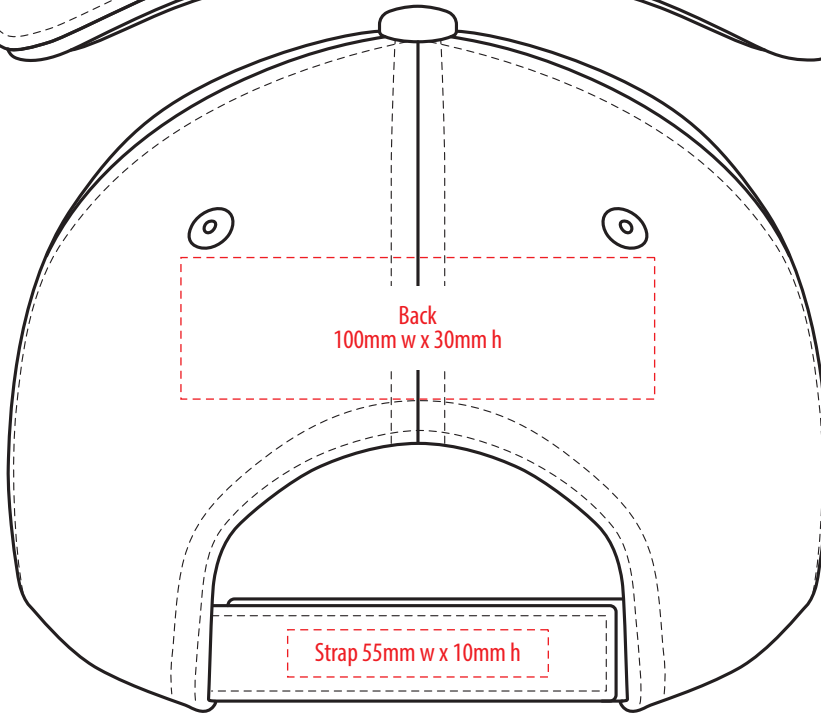
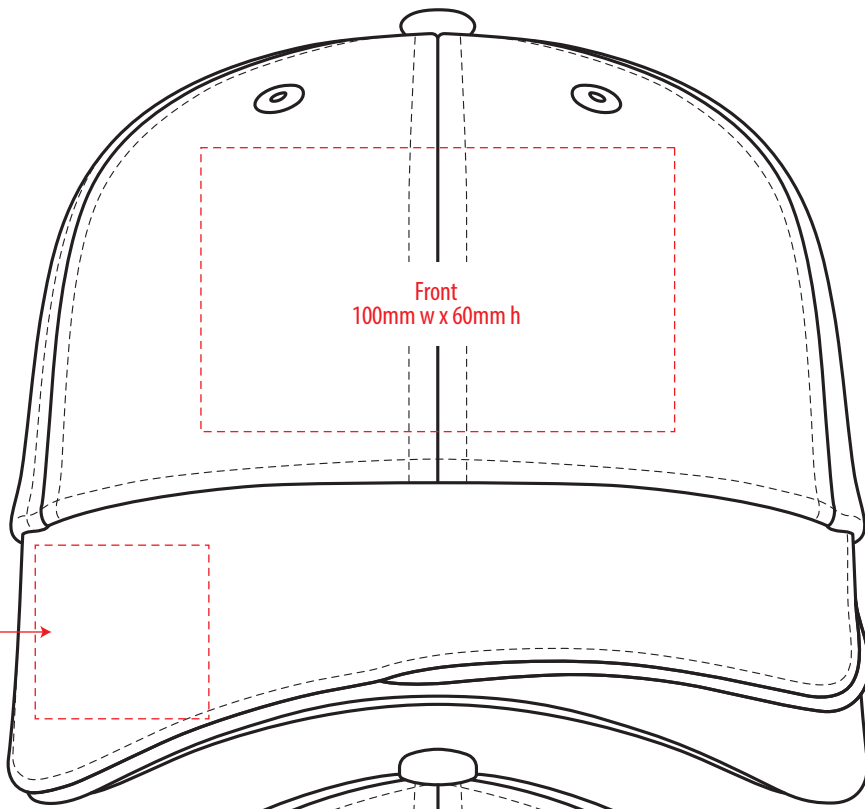
COLOUR



NOTE:

The maximum decoration area is a guide only and is greatly dependant on the logo shape.

Corner of Peak
Right Side
50mm w x 50mm h

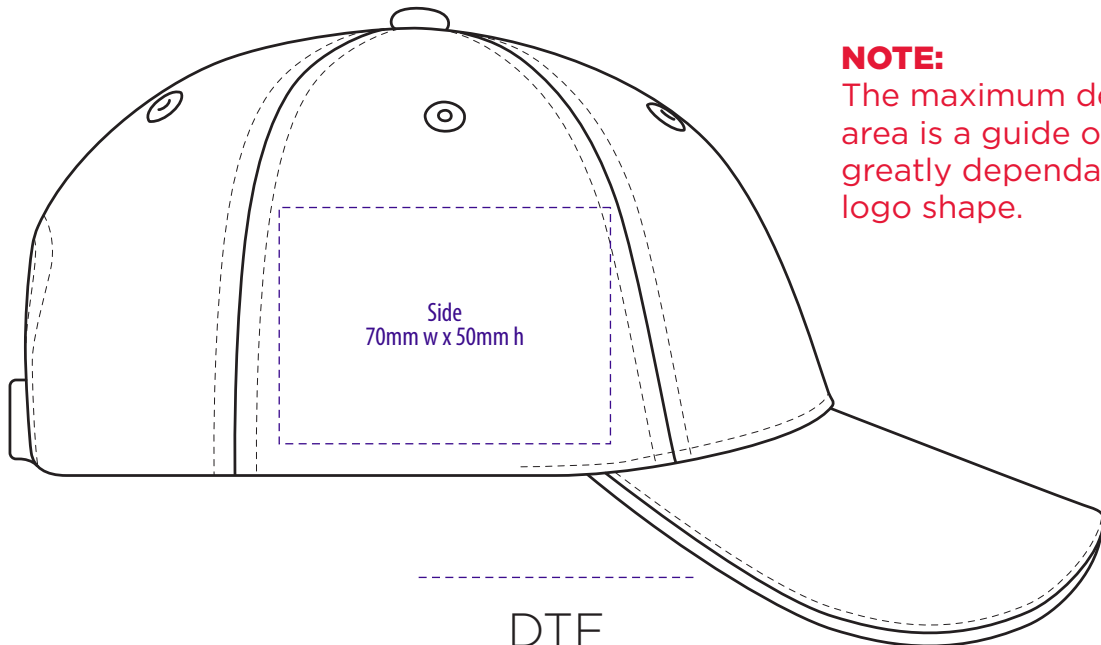
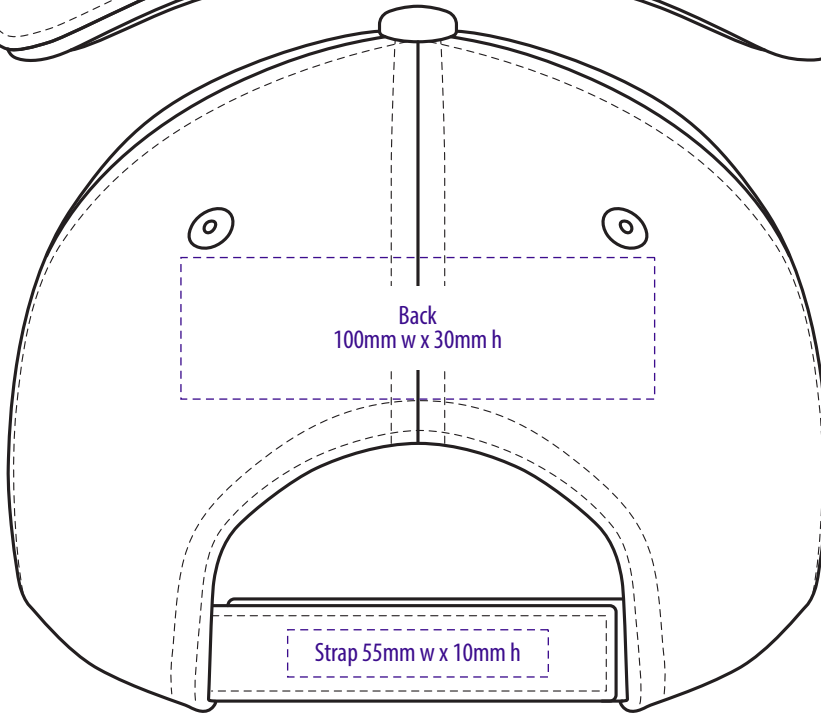
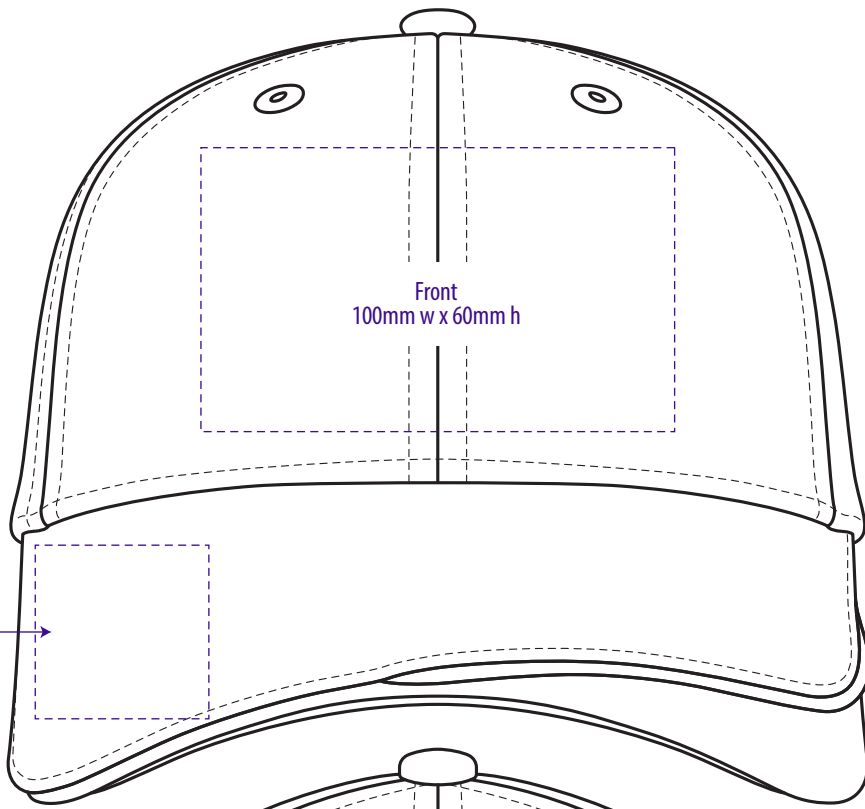


NOTE:

The maximum decoration area is a guide only and is greatly dependant on the logo shape.

4046

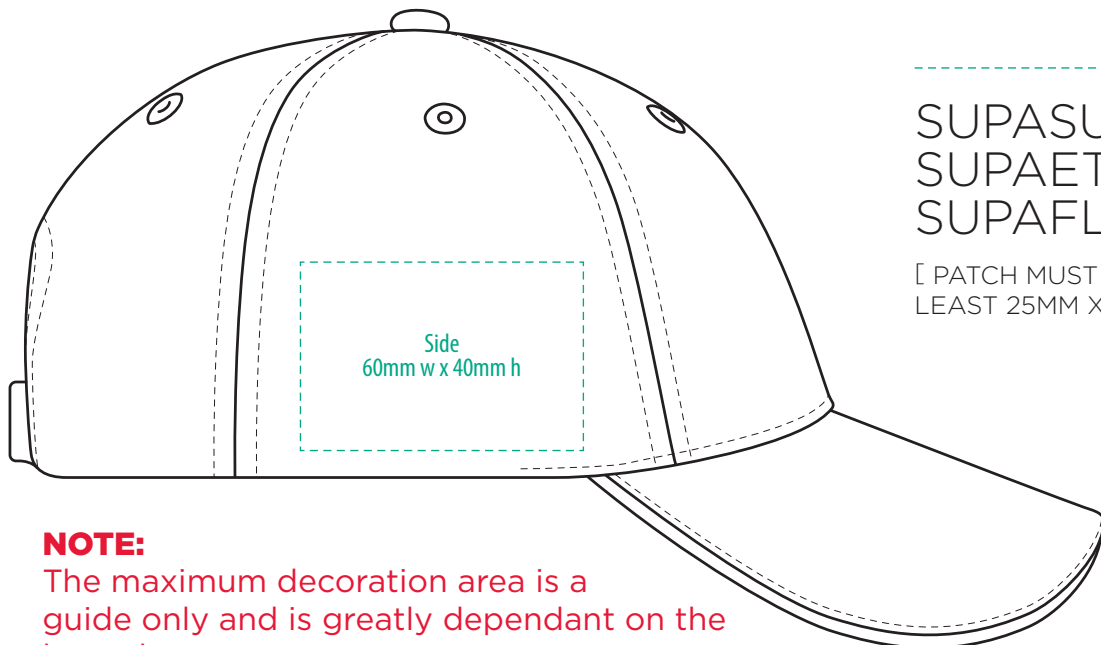
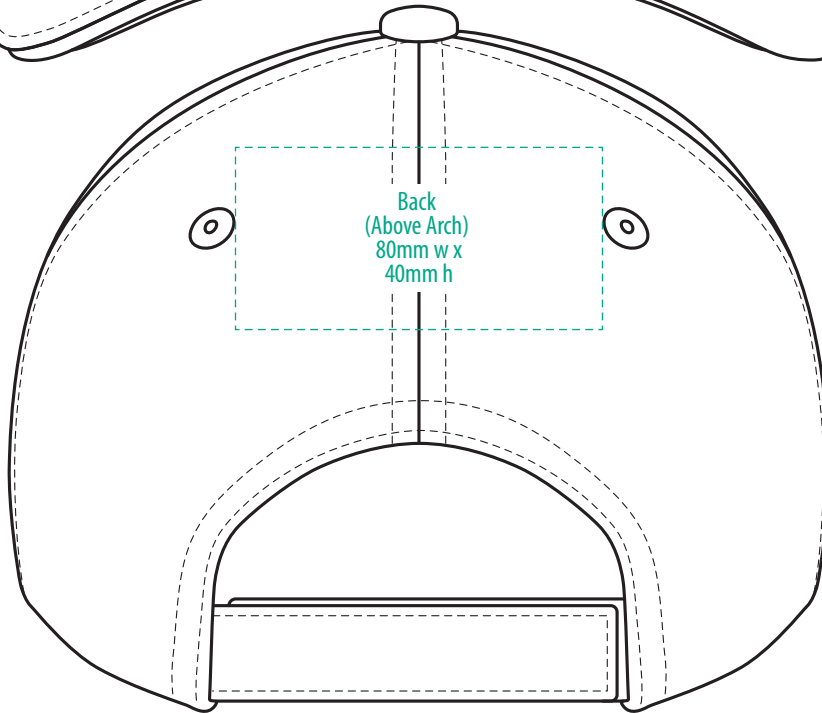
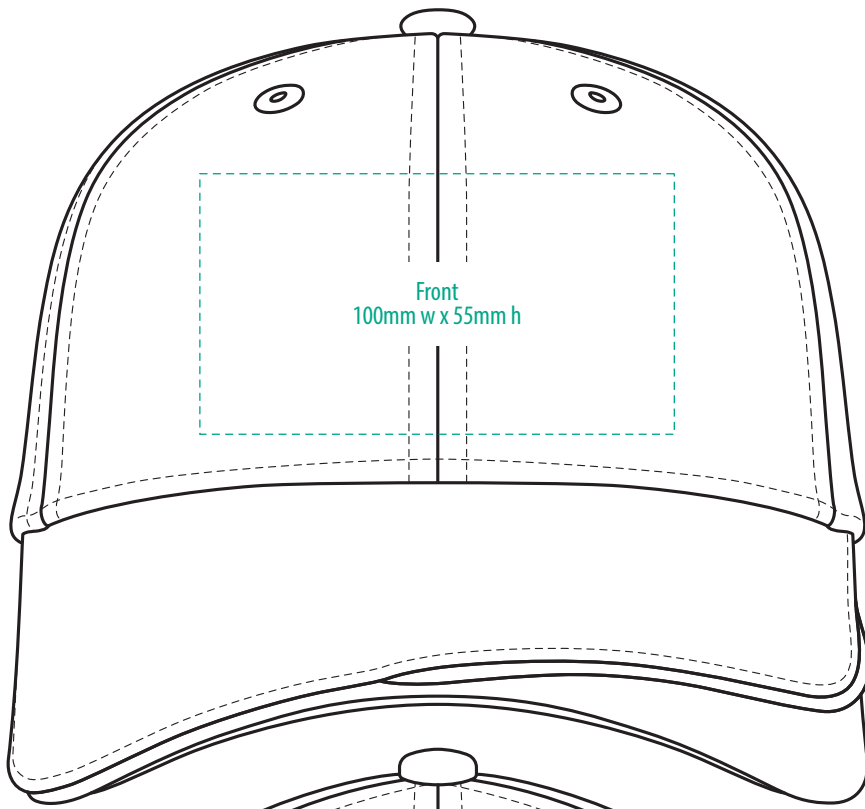
Corner of Peak
Right Side
50mm w x 50mm h



NOTE:

The maximum decoration area is a guide only and is greatly dependant on the logo shape.

4046



SUPASUB /
SUPAETCH /
SUPAFLEX


































[PATCH MUST BE AT
LEAST 25MM X 25MM]

NOTE:

The maximum decoration area is a guide only and is greatly dependant on the logo shape.

4046

FABRIC SWATCH

BLACK/WHITE/GOLD		BLACK		WHITE		PMS 130 C
BLACK/WHITE/GREY		BLACK		WHITE		PMS Cool Grey 8 C
BLACK/WHITE/ORANGE		BLACK		WHITE		PMS 1585 C
BLACK/WHITE/RED		BLACK		WHITE		PMS 186 C
GREY/WHITE/BLACK		PMS Cool Grey 8 C		WHITE		BLACK
NAVY/WHITE/GOLD		PMS 2965 C		WHITE		PMS 130 C
NAVY/WHITE/GREY		PMS 2965 C		WHITE		PMS Cool Grey 8 C
NAVY/WHITE/ORANGE		PMS 2965 C		WHITE		PMS 1585 C
NAVY/WHITE/PWD BLUE		PMS 2965 C		WHITE		PMS 291 C
NAVY/WHITE/RED		PMS 2965 C		WHITE		PMS 186 C
ROYAL/WHITE/NAVY		PMS 287 C		WHITE		PMS 2965 C

Pantone colours are provided as a reference only and are based on closest match. Actual product colour may differ. If a precise colour match is required we recommend ordering a sample.