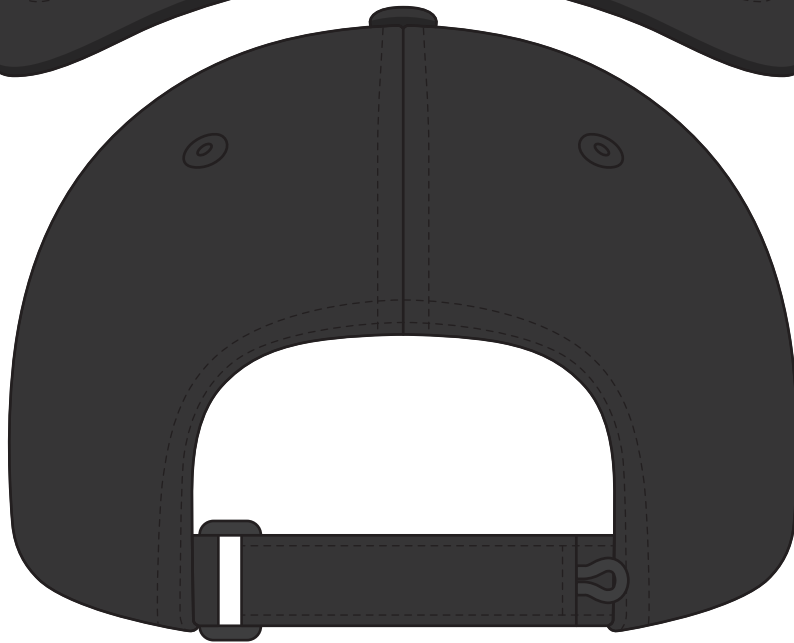
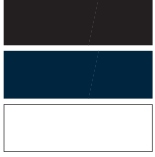
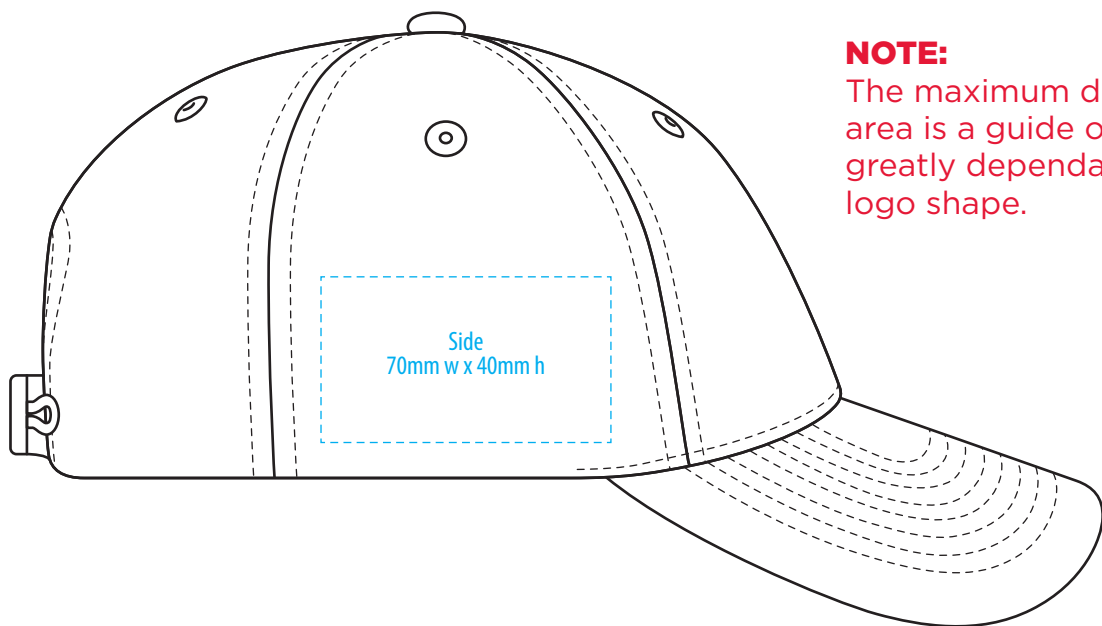
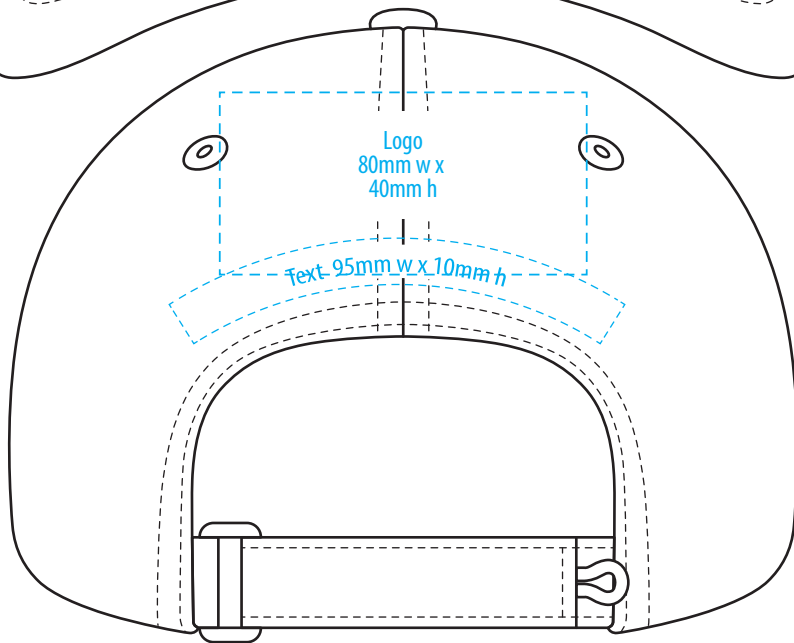
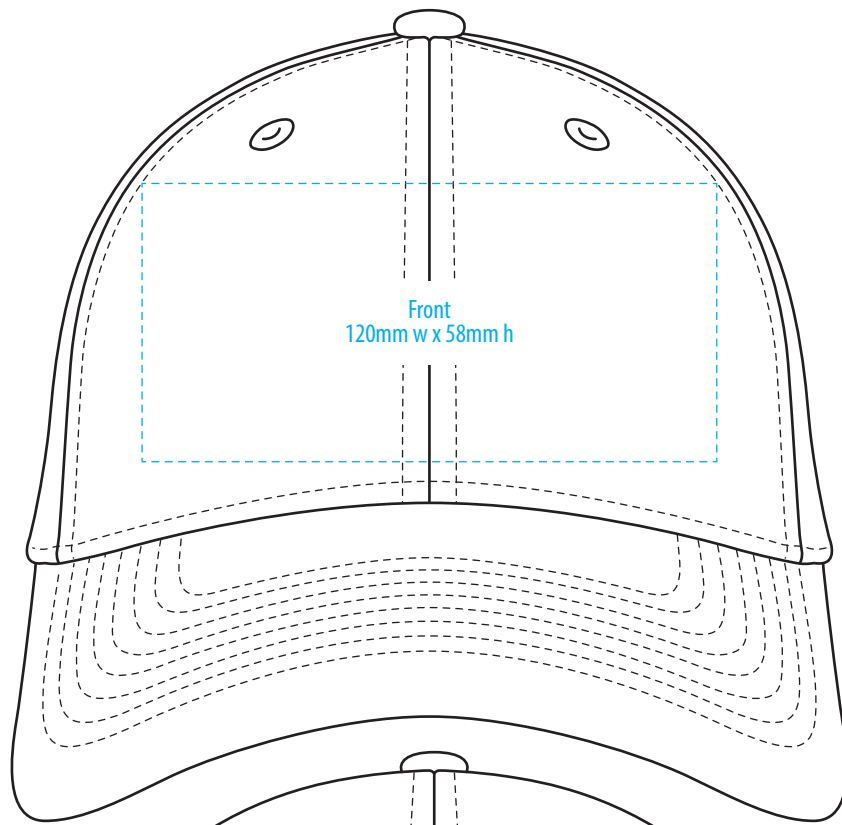


4012

COLOURWAYS



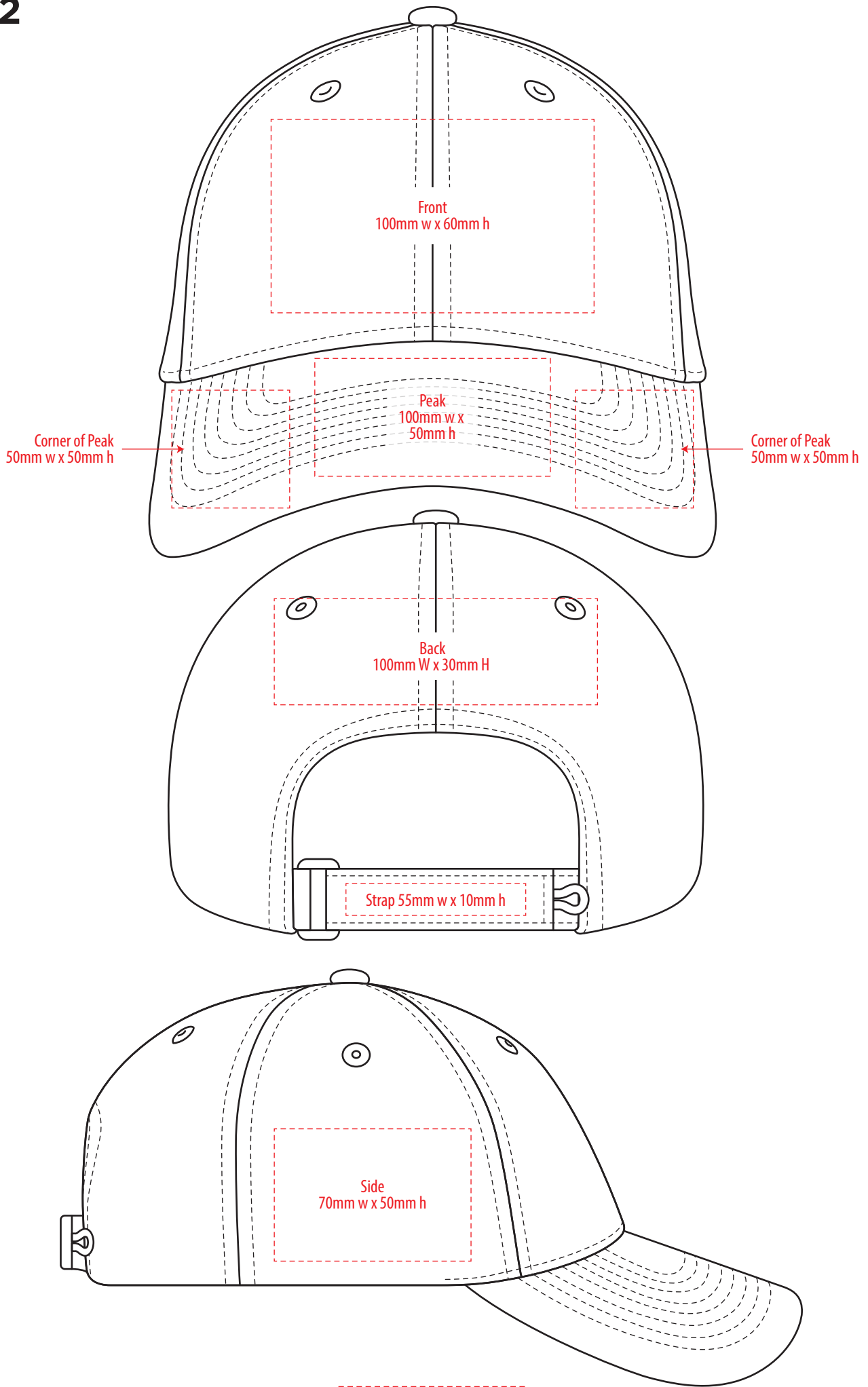
-----  
COLOUR

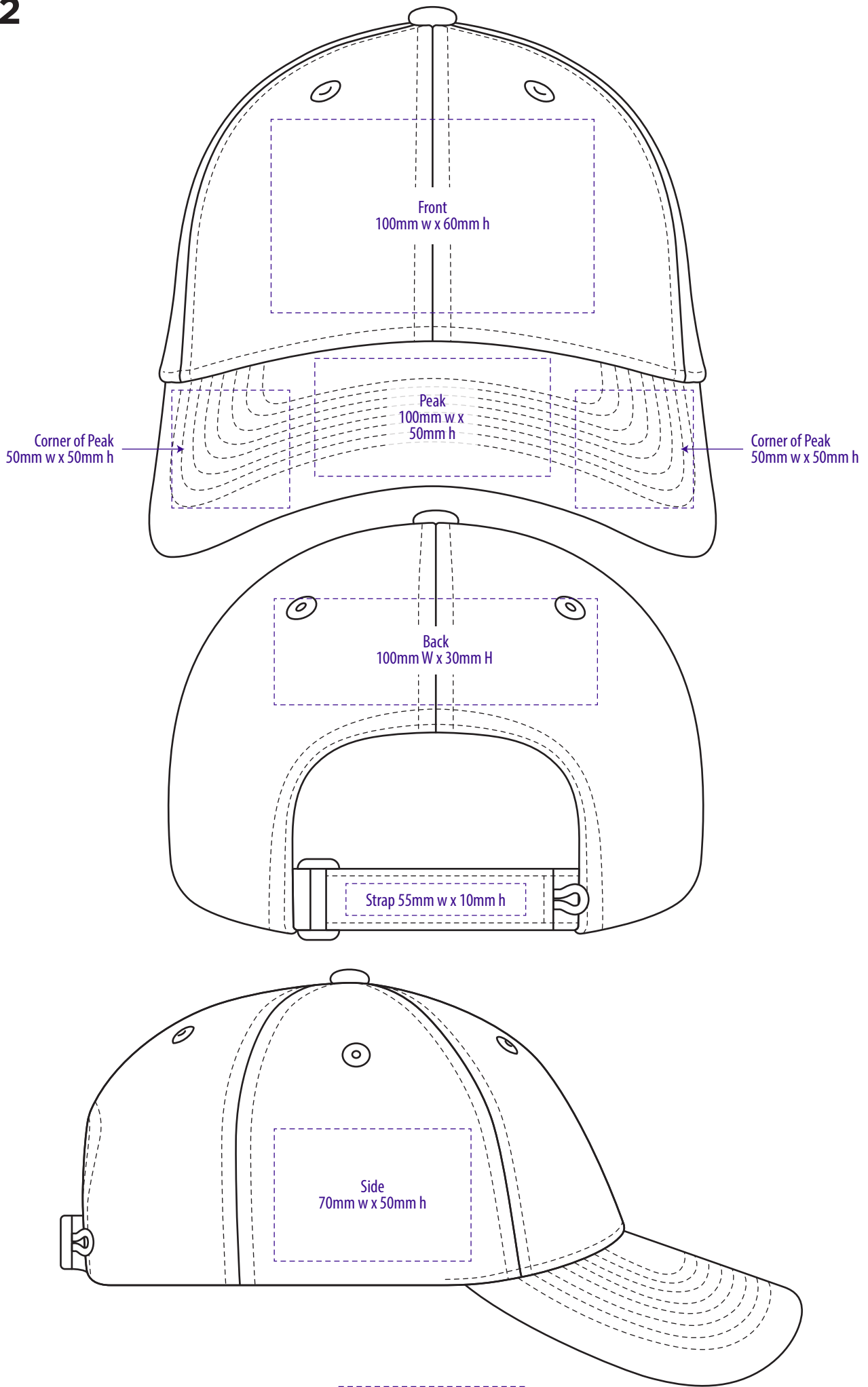


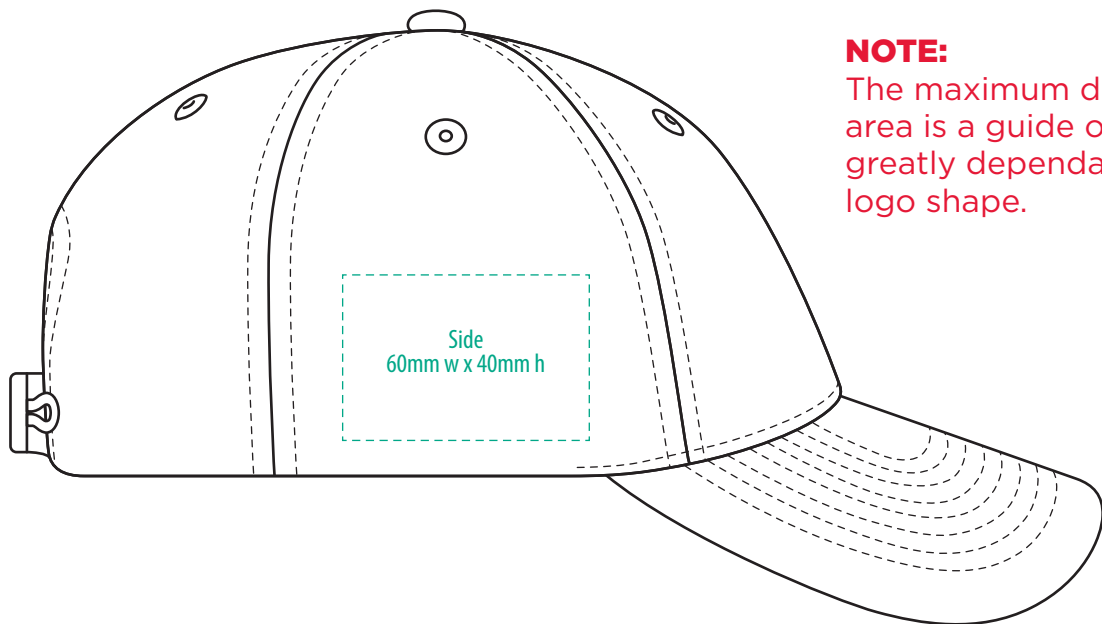
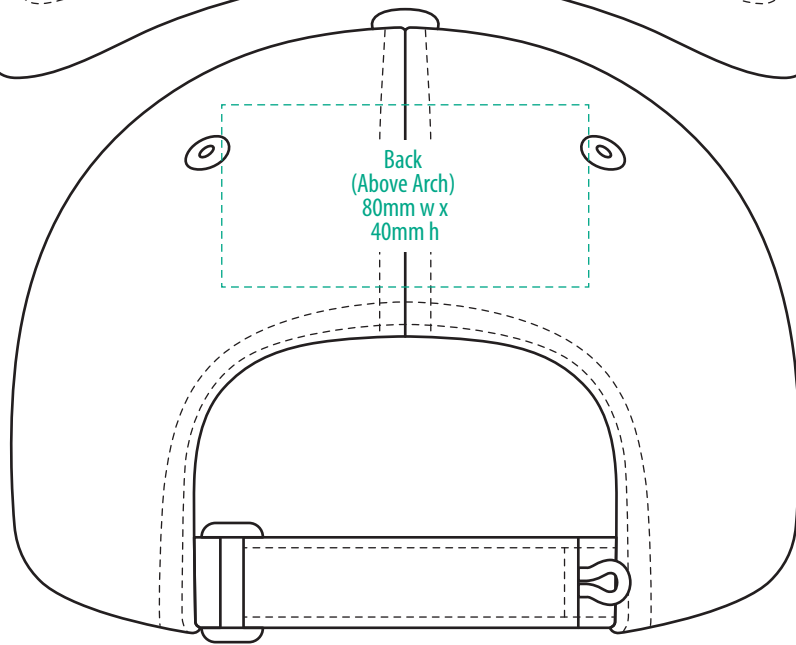
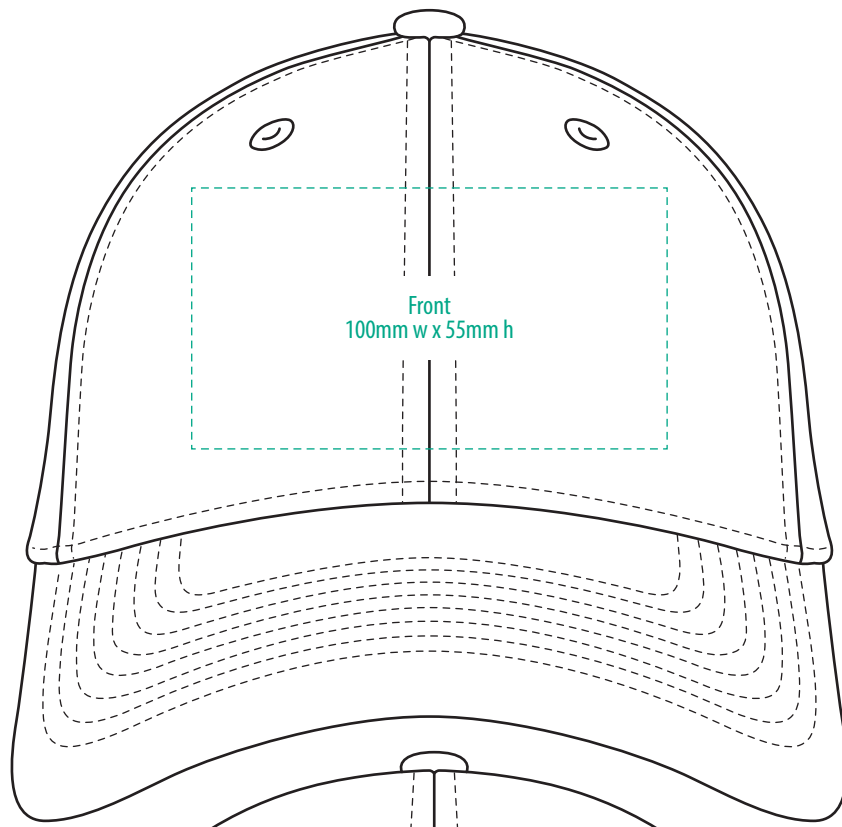
**NOTE:**

The maximum decoration area is a guide only and is greatly dependant on the logo shape.

-----  
EMBROIDERY







**NOTE:**

The maximum decoration area is a guide only and is greatly dependant on the logo shape.

SUPASUB / SUPAETCH / SUPAFLEX

[ PATCH MUST BE AT LEAST 25MM X 25MM ]

4012

# FABRIC SWATCH

**BLACK**



BLACK

**NAVY**



PMS 2965 C

**WHITE**



WHITE

Pantone colours are provided as a reference only and are based on closest match. Actual product colour may differ. If a precise colour match is required we recommend ordering a sample.